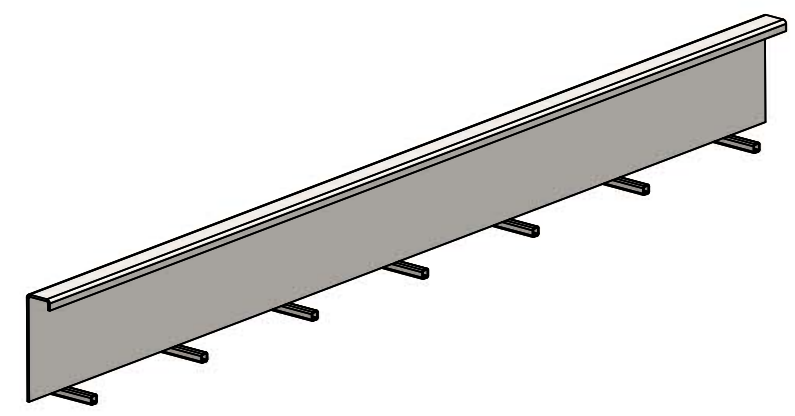
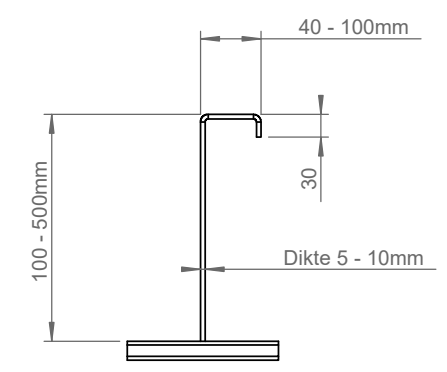
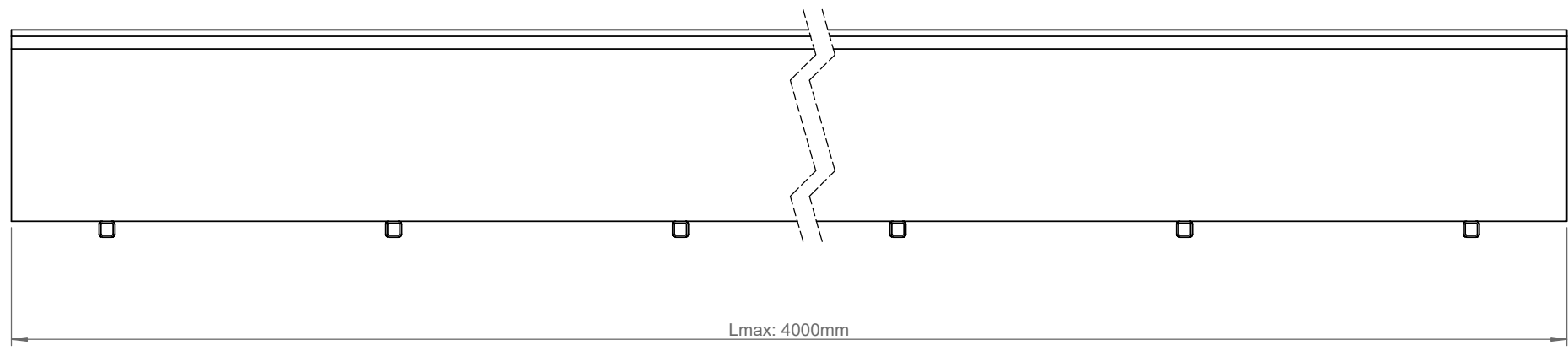
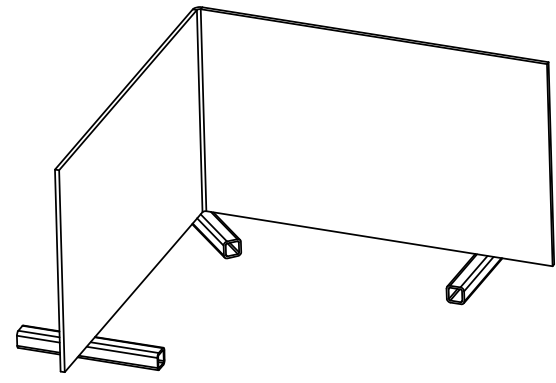
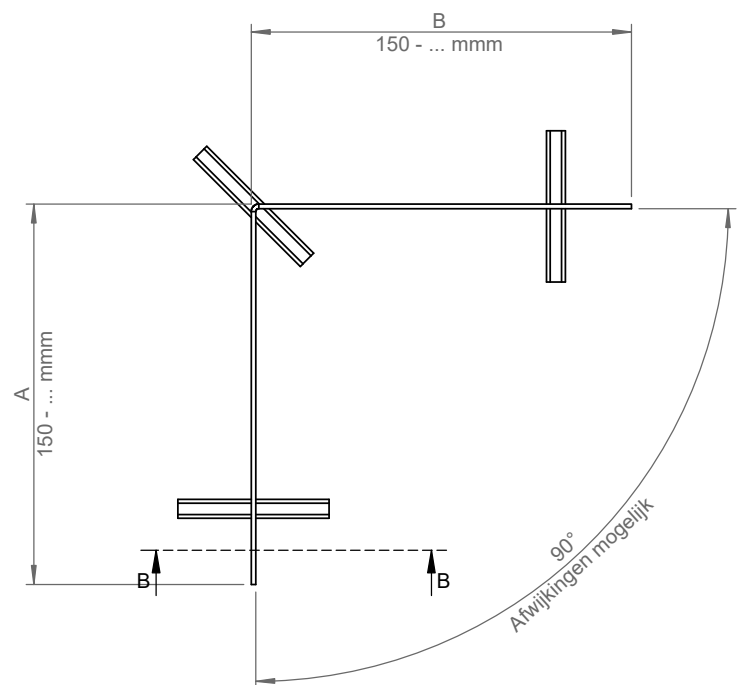
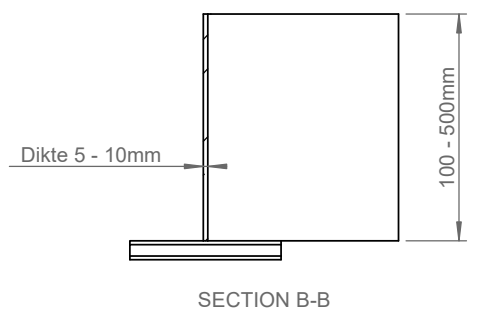


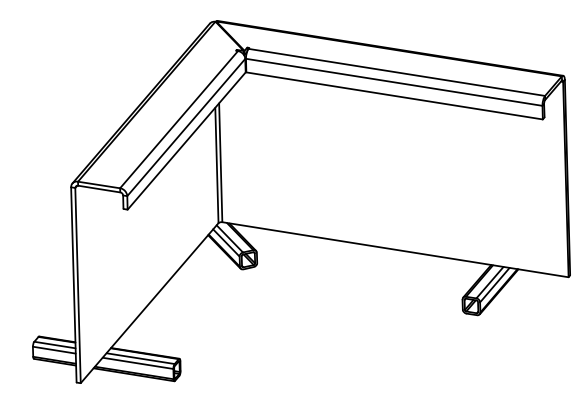
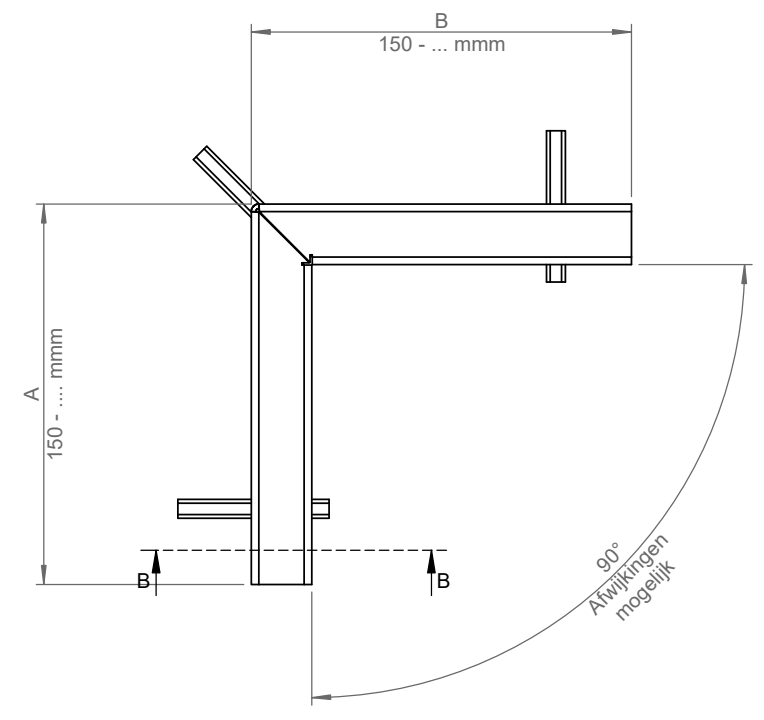
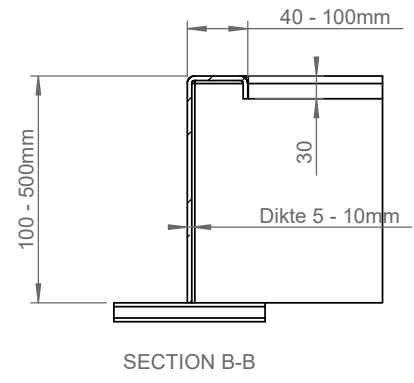
REV	DESCRIPTION	REMARKS	COMMENT	
1	-	-	Maatwerk	
2	-	-		
3	-	-		
<b>Tolerances (in mm) when not indicated:</b> Surface & edges: ISO4287 EN 10135-2 General tolerances: NEN-ISO 2768-cl Geometrical tol.: NEN-ISO 1101 and 8015 Aluminium extrusions: EN 755-9		PROJECT WAAW PROJECT NR. - ARTICLE NR. -	MATERIAL Cortenstaal SURFACE FINISH - SURFACE TREATMENT - HEAT TREATMENT - WEIGHT (gr)	SCALE FORMAT <b>A3</b> STATUS <b>PROD</b> REVISION
		DRAWN FP DATE 02/06/2017 APPV'D - DATE -	DESCRIPTION: <b>Kantafboording i-vorm recht</b> Related part/assy (SW): <b>Kantafboording I-vorm - Recht</b> Drawing nr/name: <b>Kantafboording I-vorm - Recht</b>	www.waaw-outside-concepts.be SHEET 1 OF 1




REV	DESCRIPTION	REMARKS	COMMENT	
1	-	-	Maatwerk	
2	-	-		
3	-	-		
<b>Tolerances (in mm) when not indicated:</b> Surface & edges: ISO4287 EN 10135-2 General tolerances: NEN-ISO 2768-cl Geometrical tol.: NEN-ISO 1101 and 8015 Aluminium extrusions: EN 755-9		PROJECT WAAW PROJECT NR. - ARTICLE NR. -	MATERIAL Cortenstaal SURFACE FINISH - SURFACE TREATMENT - HEAT TREATMENT -	SCALE FORMAT <b>A3</b>
		DRAWN FP APPV'D -	DATE 02/06/2017 DATE - WEIGHT (gr)	STATUS <b>PROD</b>
This drawing and the related IP (intelligent property) is owned by WAAW bvba and may not be copied, reproduced or shown to third parties without written permission. Tech.design by CONCEPT WORKS bvba - www.conceptworks.be. <a href="http://www.waaw-outside-concepts.be">www.waaw-outside-concepts.be</a>		DESCRIPTION: <b>Kantafboording L-vorm recht</b> Related part/assy (SW): <b>Kantafboording L-vorm - Recht</b> Drawing nr/name: <b>Kantafboording L-vorm - Recht</b>		REVISION
				SHEET 1 OF 1

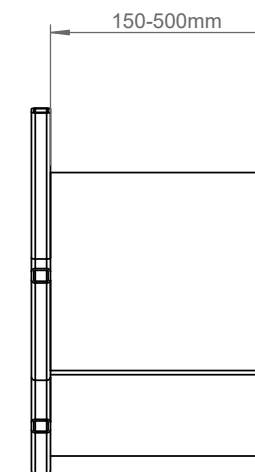
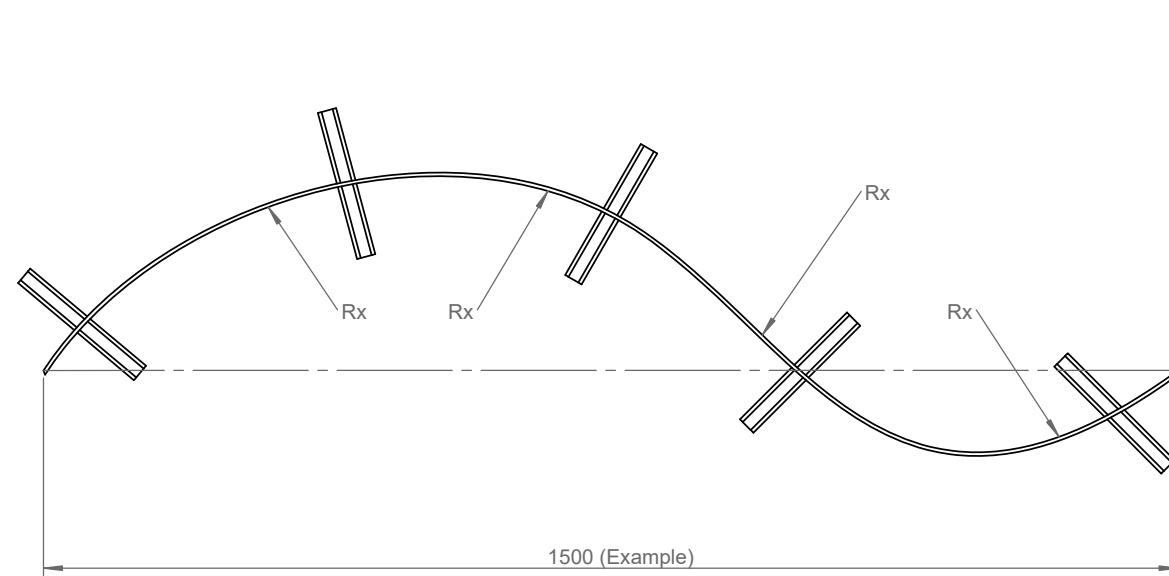


REV	DESCRIPTION	REMARKS	COMMENT	PROJECTION
1	-	-	Maatwerk	
2	-	-		
3	-	-		
<b>Tolerances (in mm) when not indicated:</b> Surface & edges: ISO4287 EN 10135-2 General tolerances: NEN-ISO 2768-cl Geometrical tol.: NEN-ISO 1101 and 8015 Aluminium extrusions: EN 755-9		PROJECT WAAW PROJECT NR. - ARTICLE NR. -	MATERIAL Cortenstaal SURFACE FINISH - SURFACE TREATMENT - HEAT TREATMENT -	SCALE FORMAT <b>A3</b>
		DRAWN FP APPV'D -	DATE 02/06/2017 DATE - WEIGHT (gr)	ST. 0 <b>PROD</b>
This drawing and the related IP (intelligent property) is owned by WAAW bvba and may not be copied, reproduced or shown to third parties without written permission. Tech.design by CONCEPT WORKS bvba - www.conceptworks.be. <a href="http://www.waaw-outside-concepts.be">www.waaw-outside-concepts.be</a>		DESCRIPTION: <b>Hoekstuk kantafboording I-vorm 90°</b> Related part/assy (SW): <b>Kantafboording I-vorm - Hoek 90</b> Drawing nr/name: <b>Kantafboording I-vorm - Hoek 90</b>		REVISION
				SHEET 1 OF 1




REV	DESCRIPTION	REMARKS	COMMENT
1	-	-	Maatwerk
2	-	-	
3	-	-	

<b>Tolerances (in mm) when not indicated:</b>		PROJECT	WAAW	MATERIAL	Cortenstaal	SCALE
Surface & edges: ISO4287 EN 10135-2	0 to 3 : ±0.2 - 30 to 120: ±0.8	PROJECT NR.	-	SURFACE FINISH	-	FORMAT
General tolerances: NEN-ISO 2768-cl	3 to 6 : ±0.3 - 120 to 315: ±1.2	ARTICLE NR.	-	SURFACE TREATMENT	-	<b>A3</b>
Geometrical tol.: NEN-ISO 1101 and 8015	6 to 30: ±0.5 - 315 to 1000: ±2	DRAWN	FP	HEAT TREATMENT	-	STATUS
Aluminium extrusions: EN 755-9		APPV'D	-	WEIGHT (gr)	-	<b>PROD</b>
		DESCRIPTION: <b>Hoekstuk kantafboording L-vorm 90°</b>		REVISION		
This drawing and the related IP (intelligent property) is owned by WAAW bvba and may not be copied, reproduced or shown to third parties without written permission. Tech.design by CONCEPT WORKS bvba - www.conceptworks.be.		Related part/assy (SW): <b>Kantafboording L-vorm - Hoek 90</b>		Drawing nr/name:		
<a href="http://www.waaw-outside-concepts.be">www.waaw-outside-concepts.be</a>		<b>Kantafboording L-vorm - Hoek 90</b>				SHEET 1 OF 1



REV	DESCRIPTION	REMARKS	COMMENT
1	-	-	Maatwerk
2	-	-	
3	-	-	

<b>Tolerances (in mm) when not indicated:</b>		PROJECT	WAAW	MATERIAL	Cortenstaal	PROJECTION
Surface & edges: ISO4287 EN 10135-2	0 to 3 : ±0.2 - 30 to 120: ±0.8	PROJECT NR.	-	SURFACE FINISH	-	SCALE
General tolerances: NEN-ISO 2768-cl	3 to 6 : ±0.3 - 120 to 315: ±1.2	ARTICLE NR.	-	SURFACE TREATMENT	-	
Geometrical tol.: NEN-ISO 1101 and 8015	6 to 30: ±0.5 - 315 to 1000: ±2	DRAWN	FP	DATE	02/06/2017	FORMAT
Aluminium extrusions: EN 755-9		APPV'D	-	DATE	-	A3
		DESCRIPTION: <b>Kantafboording gewalst</b>				STATUS
		Related part/assy (SW): <b>Kantafboording gewalst 001</b>				PROD
This drawing and the related IP (intelligent property) is owned by WAAW bvba and may not be copied, reproduced or shown to third parties without written permission. Tech.design by CONCEPT WORKS bvba - www.conceptworks.be.		Drawing nr/name:				REVISION
		<b>Kantafboording gewalst 001</b>				
www.waaw-outside-concepts.be						SHEET 1 OF 1